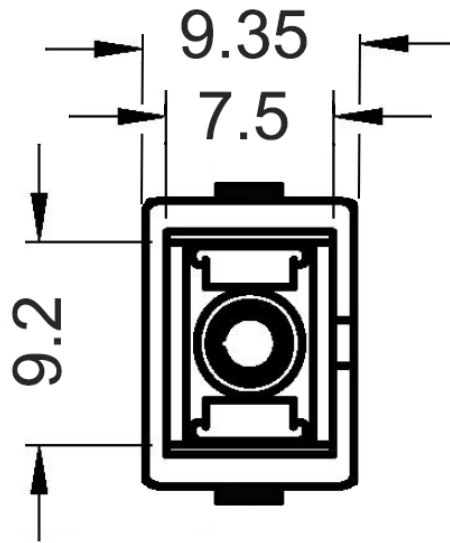
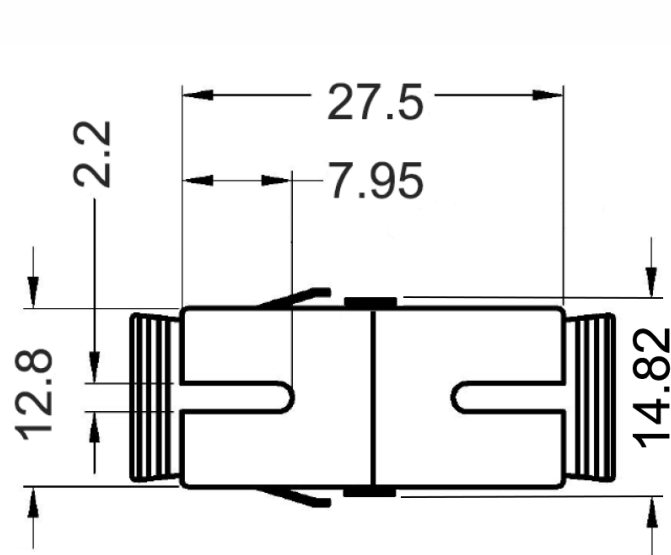


NOTE: ALL MATERIAL COMPLIANT ROHS STANDARD



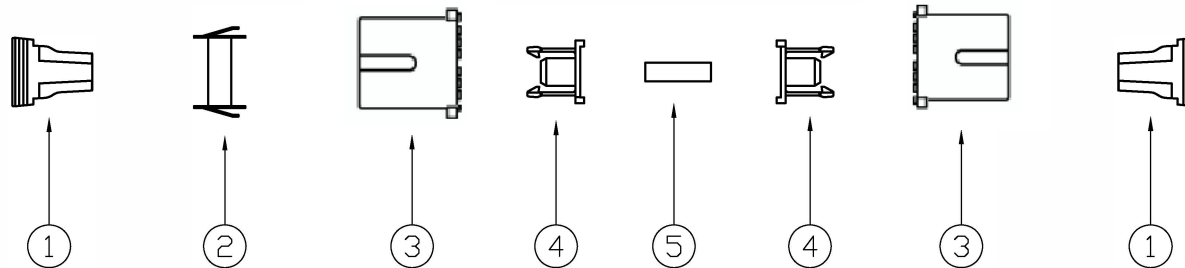
SC SIMPLEX FIBER OPTIC COUPLER / ADAPTER WITHOUT FLANGE

REVISION INFORMATION			
Rev.	Rev. Date	Modified By	Brief Description
B	05/14/2025	T.D.	P/N - COLOR -PARTS



PART	MAT NO.	PAPT NAME	MAT.
1	FBK-ADAPTER-SC-014	DUST CAP	PP
2	FBK-ADAPTER-001	SHRAPNEL	SUS304
3	FBK-ADAPTER-SC-001	OUTER HOUSER 1	PC
4	FBK-ADAPTER-SC-005	CORE	PET+GF
5	FBK-ADAPTER-SC-013	SLEEVES	CERAMIC

Parameter	SC-SC			
	SM	MM	APC	OM3
Insertion Loss (db)	≤0.25	≤0.25	≤0.25	≤0.25
Mechanical Durability	>500			
Sleeve	ZrO2			
Operation wavelength	1310nm~1550nm~850nm			
Operating Temperature (°C)	-40~+75			
Storage Temperature (°C)	-40~+85			



COLOR

1	MULTIMODE OM1	BEIGE/IVORY			
2	MULTIMODE OM3/4	AQUA			
3	SINGLEMODE UPC	BLUE			
4	SINGLEMODE APC	GREEN			



DRAWN BY X.C	DATE: 5/16/2024	DESCRIPTION: SC SIMPLEX COUPLER W/O FLANGE
CHECKED BY T.D	SHEET 1 of 1	ITEM NO. SC-FOSC-WOF-XX-01
APPROVED BY A.D	SCALE 1:1	REV. 2.0 UNIT: mm